

Variabox short catalogue



Bals GEE Norm

For more than 60 years
we define standards for the industry



Simply. Well. Connected.
Yesterday, today and in the future



Simply. Well. Connected.

The Bals brand has stood for this for six decades. This means quality that you can always count on. Our products prove themselves around the world and in a wide variety of applications.

At Bals, „Made in Germany“ stands for a quality standard that offers you optimum safety.

We very much welcome your interest in our company. Do you have special requests or requirements? We would be pleased to advise you and find tailored solutions together with you.

Please specify our part numbers with your orders. Merchandise returns due to incorrect orders result in considerable processing work and cost for us. We must therefore charge a processing fee in these cases. Weights, dimensions, technical data and figures are prepared with great care (subject to errors), but are not binding for the delivery since our products are subject to continuous change with respect to constructive, design and technical details in the interest of technical progress.

Info

About us	6 - 7
Innovations VARIABOX	8 - 9
IEC 60417-6182 / DIN EN 61439	10 - 11
VARIABOX technical data	12 - 13

VARIABOX

VARIABOX-S	14
VARIABOX-M	15 - 16
VARIABOX-L	17
VARIABOX-XL	18
VARIABOX-XXL	19
VARIABOX-L DUO	20

VARIABOX IP67

VARIABOX-S	21
VARIABOX-M	21
VARIABOX-L	21 - 22
VARIABOX-XL	22 - 23
VARIABOX-XXL	23

VARIABOX Mobil

VARIABOX-S	24
VARIABOX-M	24
VARIABOX-L	24 - 25

VARIABOX network socket - NEW!

VARIABOX-S	26
VARIABOX-M	26
Accessories	27

VARIABOX switched / interlocked - NEW!

VARIABOX-M	28 - 29
VARIABOX-L	28 - 29

Accessories

Accessories	30 - 31
-------------	---------





Factory in Kirchhündem-Albaum

About half a century competence and experience

Bals stands worldwide as a quality brand for innovation, reliability and service. For more than 60 years, we have been producing CEE plugs and connectors for the world markets. From day one we have focussed on the highest level of quality "Made in Germany".

Our factories in Kirchhundem-Albaum and Freiwalde have highly skilled and motivated teams, the very latest manufacturing facilities

and a highly efficient logistics system.

Our product portfolio ranges from plugs, phase inverters, connectors, sockets outlets and combinations units to charging plugs and sockets for electrical vehicles. Numerous certifications from German and foreign certification institutes, as well as registered designs and patents, document the high technical standard of our products.



Two modern factories a consistent quality standard

From the beginning the headquarters of our company is located in Kirchhundem-Albaum (North-Rhine-Westphalia). Product development, marketing and sales, as well as administration are located here. In addition, plug and socket systems and special products are manufactured in the Kirchhundem-Albaum factory. The factory in Freiwalde (Brandenburg), built in 1994 and expanded many times since, has state-of-the-art production facilities for fully-automatic manufacturing of unique CEE plugs and connectors as well as a highly-effective logistics centre.



CEE plugs and connectors for the world market

As an independent, medium-sized, family-owned company, we produce standardised industrial plugs and sockets acc. to IEC 60309 1-2 as well as plug and socket systems, distributors and components for the infrastructure of electrical vehicles. We set new technical standards with innovations and ground-breaking, partially patented new developments such as MULTI-GRIP or QUICK-CONNECT. The export rate in excess of 50 percent shows: Our solutions are highly valued around the world. Our products are sold in more than 80 countries. Subsidiaries and exclusive partners in strategically important countries only sell our products.



Our responsibility to the highest quality

Quality does not permit any compromise. This has always been the maxim at Bals. The ISO-9001-certified production process in all factories ensures the well-known high product quality. This proof of quality is reflected in patents, certificates from German and foreign testing institutes, as well as the specification of Bals products by highly renowned companies. Innovation is an important quality benchmark for us. This way, we are always setting new standards with intelligent solutions that bring the user sustainable advantages.



VARIABOX

The Bals VARIABOX distributor system is even more versatile and flexible. As an adaptive further development, the new network data sockets as well as the switched interlocked CEE sockets are now available. Thus, the distributors can now be equipped with RJ45, HDMI or USB connections if necessary.

The coded flange plate with separate switch accommodates the mechanically interlocked panel mounting socket from 16A 3-pole to 32A 5-pole in IP44 or IP67 and can be perfectly integrated optically in the overall system.

Thus, the VARIABOX once again lives up to its reputation as a true all-rounder among the distributor systems. With the S, M, L, XL and XXL versions as wall-mounted or mobile combination, you will always find the right distributor for your needs – flexibly and individually configurable. A decisive advantage of the distributor is its freedom from maintenance: all panel mounting sockets are equipped with the touch-safe QUICK-CONNECT connection technology. Also unique is the operating window with OTC mechanism (one touch close).

Variabox extension – switching bar:

- Perfect optical integration in the existing system
- User-friendly arrangement in the case of multiple units
- Mechanical double-interlocking
- Can be locked in the 0-position
- Nickel plated contacts
- High-temperature-resistant contact carriers
- Greater flexibility in the Variabox system landscape
- Suitable for harsh environmental conditions
- Versions in all voltages and frequencies from 16A 3-pole to 32A 5-pole
- Protection degrees IP44, IP54 and IP67

Variabox extension – network socket:

- Perfect optical integration in the existing system
- Optionally equipped with RJ45, HDMI or USB
- Various data technology inserts available
- With protection against contact
- Protection degree IP54
- Greater flexibility in the Variabox system landscape
- Can be closed with the plugs plugged in, optionally lockable
- With labelling fields



Detailed view of switched interlocked flange plate.



The network socket with various data inserts.

Installation requires electrical expertise

Electrotechnical products which previously could only be acquired from specialist shops and which were intended for qualified specialist personnel are today also offered to anybody in hardware stores and online stores as part of changed purchasing habits. This change brings with it new questions, however: is it permitted for specialised trade products requiring expertise for installation to be purchased and installed by anybody?

Many products are intended for installation in electrical systems or for the repair of devices, for example. Home renovations are often associated with replacing switches, sockets and subdistributors, or installing them from scratch. Faulty installations may have fatal consequences! As a rule, electrical installations and attachments should only be performed by an electrical specialist.



Product safety legislation

The German Product Safety Act [ProdSG] requires that only safe products may be brought into circulation – safe both in terms of installation and actual use.

Since it is not legally possible to define a group of purchasers for electrotechnical products, manufacturers should clearly and unambiguously stress that specialist knowledge is required for the installation. This is most successful using pictograms which everybody can understand. They help manufacturers to comply with the German Product Safety Act, thus reducing their product liability risks.

Warning symbol „Installation, electrotechnical expertise“

In order to point out the hazard potential mentioned at the beginning, a visual notice is affixed to our packaging or directly onto our products which indicates that our products must exclusively be installed by electrical specialists.

This official product marking „Installation, electrotechnical expertise“ is standardised under IEC 60417- 6182 and is recommended by ZVEI, ZVEH and DKE.

Change to standard DIN EN 61439

As a successor standard to DIN EN 60439, standard DIN EN 61439 (2012) describes the requirements and documentation for all low-voltage switchgear assemblies. The standard is to be applied to power distributors, all switchgears and controlgears and meter cabinets. It therefore has a significant impact on electrical power distribution in industry, in building installation and on construction sites.

In future there will only be an overall view and the concept of the switchgear assembly. In place of a type test report, a design verification must be provided for new switchgears and power distributors. A low-voltage switchgear assembly is described through the definition of the interface parameters by the user or planner. Due to the interface parameters, the manufacturer must dimension and define the internal development of the low-voltage switchgear assembly.



The VARIABOX complies with DIN EN 61439

DIN EN 61439 (2012) is split between one part with general requirements and another part with a separate product standard for specific types of switchgear assemblies. The general basic requirements are laid out in DIN EN 61439-1 and adapted to the features of the application through relevant, additional sections of standards. As a result, we are able to apply the following three standards to our products:

1. Power switchgear assemblies in accordance with DIN EN 61439-
2. Installation distributors in accordance with DIN EN 61439-3
3. Construction site power distributors in accordance with DIN EN 61439-4


Additional content of the standard is subdivided as follows: DIN EN 61439-5: Cable distribution cabinets, DIN EN 61439-6: Busbar distributors, DIN EN 61439-7: Switchgear assemblies for specific applications, spaces and installations of a special kind.

What does the standard mean for the end user?

DIN EN 61439 forms the basis for a clear definition of the performance promise that has been agreed between the user and manufacturer of a switchgear or controlgear system. Therefore, the fulfilling of the performance promise can be evaluated and represented for both parties. The effort involved in applying the new standard is not too dissimilar from the previous effort required. DIN EN 61439 leads the manufacturer to the required verifications in a structured manner. A manufacturer who applies the new standard correctly can definitively prove that its products can be operated safely and reliably.

Bals distributors: solutions tailored for DIN EN 61439

All plug-and-socket-device assemblies produced by Bals Elektrotechnik in accordance with the basic standard DIN EN 61439-1 and the corresponding standardisation sections DIN EN 61439-2, 61439-3 and 61439-4 can without exception be operated by non-experts. This includes the connection and disconnection of plug and socket devices as well as the operation of safety elements installed by us, such as miniature circuit breakers or residual current circuit breakers. The operating elements are installed in such a way that they comply with protection class IP 2X, which also covers protection class IP XXB (DIN EN 61439-3 Paragraph 8.2.2. and DIN EN 61439-2 Paragraph 8.101 Note 1). Non-experts are, of course, not permitted to open the housings of live assembly units. For this reason, it is only possible to open our housings using a suitable tool. Our distributors are usually pre-wired and ready for connection. For this reason, we are responsible for supplying verifications as the manufacturer of these products. We cannot declare any conformity for non-wired or partially wired devices requiring further modification, since the completion of the product is not performed by us on our premises.

I_n rated current of the assembly	IP degree of protection
 Typ IP44 Made in Germany	
Spannung voltage	200V/346V 240V/415V
Frequenz frequency	50 - 60Hz
I_n 40A	Maße dimension 390x230x145mm
RDF 0,8	$I_{cc} \leq 10kA$ U_{imp} 4kV
Temp -25/+40°C	Gewicht weight 5,898kg
DIN EN 61439 - 3 CE	Baujahr year of construction 10/17
I_{cc} rated conditional short-circuit current	U_{imp} rated voltage
RDF Rated load factor	

Type label example

Technical Data

Sizes

Version	Dimensions (H x W x D)
VARIABOX-S	130 x 230 x 145 mm
VARIABOX-M	260 x 230 x 145 mm
VARIABOX-L	390 x 230 x 145 mm
VARIABOX-XL	520 x 230 x 145 mm
VARIABOX-XXL	650 x 230 x 145 mm
VARIABOX-L DUO	390 x 460 x 145 mm
VARIABOX-XL DUO	520 x 460 x 145 mm

further modular extension possible

Colours

Top grey (standard) RAL 7035
 Top yellow, available as of 5 units
 Top blue, available as of 5 units
 Top red, available as of 5 units
 Top silver, available as of 5 units
 Bottom schwarz RAL 9005

Shape

Cover straight,
 CEE socket angled

Material

PBT polyester

Material properties

Self-extinguishing, heat-resistant, extremely cold-resistant, resistant to ageing, saltwater-resistant, good electric insulation properties, fracture-proof, wear-resistant, abrasion-resistant, dimensionally stable

Durable

High chemical resistance, UV-stabilised, suitable for use in hostile environments

Impact resistance

IK09

Thermal resistance

DIN EN 61439 / VDE 0660-600

Ageing resistance

Long-term testing at +80 degrees

Glow wire test

In accordance with
 DIN EN60695

Protection

Top can be lead-sealed to bottom,
 OTC window can be lead-sealed

Wall mounting

Either internal or external fastening

Cover attachment

Hinged on right, can be hinged on left
 on request

Cover screws

Captive, with internal and external
 hexagon, including slot, torque 2 Nm

Cable entry

Face plates pre-punched at top and
 bottom
 each with M12, M20, M25/M32/M40

Attachments

User-friendly OTC mechanism (One
 Touch Close), CEE sockets 16A
 to 63A with maintenance-free
 QUICK-CONNECT technology, data
 sockets, intercompatibility of mounted
 sockets, optionally available with
 handle

Protection class

IP44, IP54, IP67

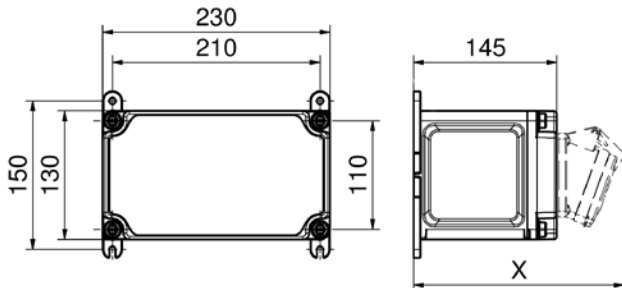
Environment

PVC-free, cadmium-free, halogen-free
 and silicone-free



VARIABOX-S

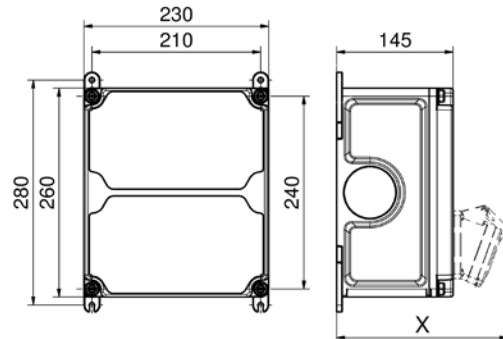
30MB208



Standard cable entries pre-punched
 Top: 1xM12, 1xM20, 2xM25 oder 2xM32
 Bottom: 1xM12, 1xM20, 2xM25 oder 2xM32

VARIABOX-M

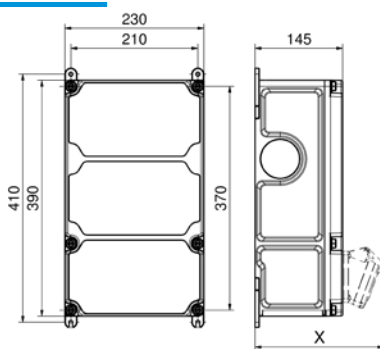
30MB207



Standard cable entries pre-punched
 Top: 1xM12, 1xM20, 2xM32 oder 2xM40
 Bottom: 1xM12, 1xM20, 2xM32 oder 2xM40

VARIABOX-L

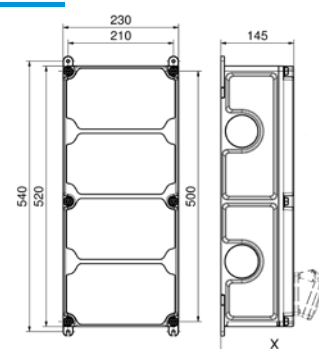
30MB206



Standard cable entries pre-punched
 Top: 1xM12, 1xM20, 2xM40
 Bottom: 1xM12, 1xM20, 2xM40

VARIABOX-XL

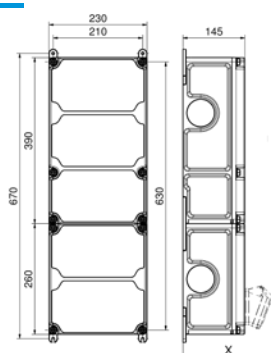
30MB205



Standard cable entries pre-punched
 Top: 1xM12, 1xM20, 2xM40
 Bottom: 1xM12, 1xM20, 2xM40

VARIABOX-XXL

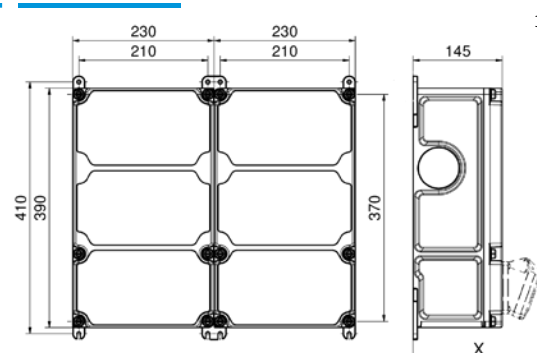
30MB204



Standard cable entries pre-punched
 Top: 1xM12, 1xM20, 2xM40
 Bottom: 1xM12, 1xM20, 2xM40

VARIABOX-L DUO

30MB214



Standard cable entries pre-punched
 Top: 1xM12, 1xM20, 2xM40
 Bottom: 1xM12, 1xM20, 2xM40

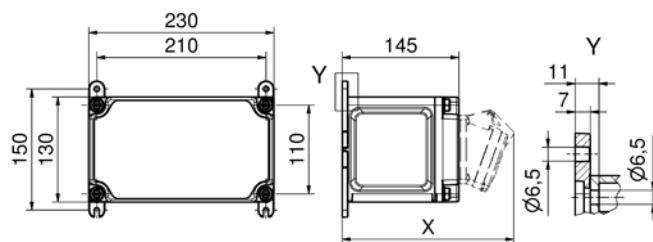
Table X-dimension

Components	Operation window	Schuko-type socket.		CEE 16A 3pole		CEE 16A 4pole		CEE 16A 5pole		CEE 32A 3/4pole		CEE 32A 5pole		CEE 63A	
Protection class		IP44	IP67	IP44	IP67	IP44	IP67	IP44	IP67	IP44	IP67	IP44	IP67	IP44	IP67
Depth X	180	162	205	200	200	204	202	207	205	211	213	213	214	229	231

Technical information

- Wired ready for connection
- Protection degree IP44
- All distributors comply with the DIN EN 61439 / IEC 61439

- Housing made of high-grade, impact-resistant plastic
- Top and bottom can be sealed together
- With external and internal fastening
- Permanently attached cover screws
- Top section straight, CEE sockets angled
- All CEE sockets with screwless, maintenance-free QUICK-CONNECT technology
- Colours: bottom - black, top - electro-grey (housing top optionally available in the colours yellow, red or blue)



30 MB 208

Depth X (in mm)

Component	IP44	IP67	Component	IP44	IP67
OTC-window	180	180	CEE 16A 5p	207	205
Schuko-type socket	162	205	CEE 32A 3p / 4p	211	213
CEE 16A 3p	200	200	CEE 32A 5p	213	214
CEE 16A 4p	204	202	CEE 63A 3p / 4p / 5p	229	231

Order no. **89003**



Components:

3 domestic sockets 16A, 230V
(system F - German earthing system)

Cable entry at top and bottom:
each with 1x M12, 1x M20, 2x M25

Connection option:
for 1 cable up to 5 x 6 mm²



Order no. **89006**

Components:

4 domestic sockets 16A, 230V
(system F - German earthing system)

Cable entry at top and bottom:
each with 1x M12, 1x M20, 2x M25

Connection option:
for 1 cable up to 5 x 6 mm²



Order no. **89002**

Components:

1 domestic sockets 16A, 230V
(system F - German earthing system)
1 CEE socket 16A, 400V, 5p

Cable entry at top and bottom:
each with 1x M12, 1x M20, 2x M25

Connection option:
for 1 cable up to 5 x 6 mm²



Order no. **89004**

Components:

2 domestic sockets 16A, 230V
(system F - German earthing system)
1 CEE socket 16A, 400V, 5p

Cable entry at top and bottom:
each with 1x M12, 1x M20, 2x M25

Connection option:
for 1 cable up to 5 x 6 mm²



Order no. **89058**

Components:

2 domestic sockets 16A, 230V
(system F - German earthing system)
1 CEE socket 32A, 400V, 5p

Cable entry at top and bottom:
each with 1x M25, 1x M32

Connection option:
for 1 cable up to 3 x 4 mm² and
1 cable up to 5 x 6 mm²



Order no. **89000**

Components:

2 CEE sockets 16A, 400V, 5p

Cable entry at top and bottom:
each with 1x M12, 1x M20, 2x M25

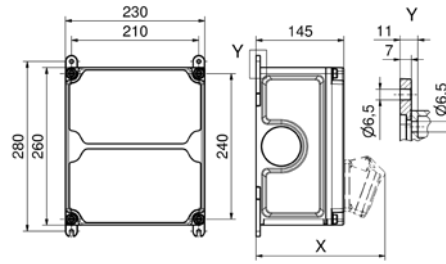
Connection option:
for 1 cable up to 5 x 6 mm²



Technical information

- Wired ready for connection
- Protection degree IP44
- All distributors comply with the DIN EN 61439 / IEC 61439

- Housing made of high-grade, impact-resistant plastic
- Hinged lid
- Top and bottom can be sealed together
- With external and internal fastening
- User-friendly OTC operating window
- Permanently attached cover screws
- Coded flange plate system for maximum safety during initial installation and maintenance
- Top section straight, CEE sockets angled
- All CEE sockets with screwless, maintenance-free QUICK-CONNECT technology
- Colours: bottom - black, top - electro-grey (housing top optionally available in the colours yellow, red or blue)



30 MB 207

Depth X (in mm)

Component	IP44	IP67	Component	IP44	IP67
OTC-window	180	180	CEE 16A 5p	207	205
Schuko-type socket	162	205	CEE 32A 3p / 4p	211	213
CEE 16A 3p	200	200	CEE 32A 5p	213	214
CEE 16A 4p	204	202	CEE 63A 3p / 4p / 5p	229	231

Order no. **89016**



Components:

3 domestic sockets 16A, 230V
(system F - German earthing system)

Fuse:

3 C-type MCBs 16A, 1p
1 RCCB 40/0.03A, 4p

Cable entry at top and bottom:

each with 1x M12, 1x M20, 2x M32

Connection option:

for 2 cables up to 5 x 25 mm²



Order no. **890400**

Components:

3 domestic sockets 16A, 230V
(system F - German earthing system)
1 double data socket RJ45 CAT6a IP55

Fuse:

3 C-type MCBs 16A, 1p
1 RCCB 40/0.03A, 4p

Cable entry at top and bottom:

each with 2x M20, 2x M32

Connection option:

for 2 cables up to 5 x 25 mm²



Order no. **89040**

Components:

4 domestic sockets 16A, 230V
(system F - German earthing system)

Fuse:

4 C-type MCBs 16A, 1p
1 RCCB 40/0.03A, 4p

Cable entry at top and bottom:

each with 1x M12, 1x M20, 2x M32

Connection option:

for 2 cables up to 5 x 25 mm²



Order no. **89037**

Components:

8 domestic sockets 16A, 230V
(system F - German earthing system)

Cable entry at top and bottom:

each with 1x M12, 1x M20, 2x M25

Connection option:

for 1 cable 5 x 6 mm²



Order no. **89044**



Components:

2 domestic sockets 16A, 230V
(system F - German earthing system)
1 CEE socket 16A, 400V, 5p

Fuse:

2 Neozed D01, 1p
1 Neozed D01, 3p

Cable entry at top and bottom:

each with 1x M12, 1x M20, 2x M40

Connection option:

for 2 cables up to 5 x 25 mm²



Order no. **89010**



Components:

2 domestic sockets 16A, 230V
(system F - German earthing system)
1 CEE socket 16A, 400V, 5p

Fuse:

2 C-type MCBs 16A, 1p
1 C-type MCB 16A, 3p
1 RCCB 40/0.03A, 4p

Cable entry at top and bottom:

each with 1x M12, 1x M20, 2x M40

Connection option:

for 2 cables up to 5 x 25 mm²



Technical information

- Wired ready for connection
- Protection degree IP44
- All distributors comply with the DIN EN 61439 / IEC 61439

Order no. **89015**

Components:

- 2 domestic sockets 16A, 230V
(system F - German earthing system)
- 1 CEE socket 32A, 400V, 5p

Fuse:

- 2 Neozed D01, 1p
- 1 Neozed D02, 3p

Cable entry at top and bottom:

each with 1x M12, 1x M20, 2x M40

Connection option:

for 2 cables up to 5 x 25 mm²



Order no. **89013**

Components:

- 2 domestic sockets 16A, 230V
(system F - German earthing system)
- 1 CEE socket 32A, 400V, 5p

Fuse:

- 2 C-type MCBs 16A, 1p
- 1 C-type MCB 32A, 3p
- 1 RCCB 40/0.03A, 4p

Cable entry at top and bottom:

each with 1x M12, 1x M20, 2x M40

Connection option:

for 2 cables up to 5 x 25 mm²



Order no. **89017**

Components:

- 2 CEE sockets 16A, 400V, 5p

Fuse:

- 2 C-type MCBs 16A, 3p
- 1 RCCB 40/0.03A, 4p

Cable entry at top and bottom:

each with 1x M12, 1x M20, 2x M40

Connection option:

for 2 cables up to 5 x 25 mm²



Order no. **89028**

Components:

- 2 domestic sockets 16A, 230V
(system F - German earthing system)
- 2 CEE sockets 16A, 400V, 5p

Cable entry at top and bottom:

each with 1x M12, 1x M20, 2x M25

Connection option:

for 1 cable 3 x 4 mm² and
1 cable 5 x 4 mm²



Order no. **89038**

Components:

- 5 domestic sockets 16A, 230V
(system F - German earthing system)
- 1 CEE socket 16A, 400V, 5p

Cable entry at top and bottom:

each with 1x M12, 1x M20, 2x M25

Connection option:

for 1 cable up to 5 x 6 mm²



Order no. **89022**

Components:

- 1 CEE socket 16A, 400V, 5p
- 1 CEE socket 32A, 400V, 5p

Fuse:

- 1 Neozed D01, 3p
- 1 Neozed D02, 3p

Cable entry at top and bottom:

each with 1x M12, 1x M20, 2x M40

Connection option:

for 2 cables up to 5 x 25 mm²



Order no. **89048**

Components:

- 1 CEE socket 16A, 400V, 5p
- 1 CEE socket 32A, 400V, 5p

Fuse:

- 1 C-type MCB 16A, 3p
- 1 C-type MCB 32A, 3p
- 1 RCCB 40/0.03A, 4p

Cable entry at top and bottom:

each with 1x M12, 1x M20, 2x M40

Connection option:

for 2 cables up to 5 x 25 mm²



Order no. **890011**

Components:

- 2 CEE sockets 32A, 400V, 5p

Fuse:

- 2 C-type MCBs 32A, 3p
- 1 RCCB 63/0.03A, 4p

Cable entry at top and bottom:

each with 1x M12, 1x M20, 2x M40

Connection option:

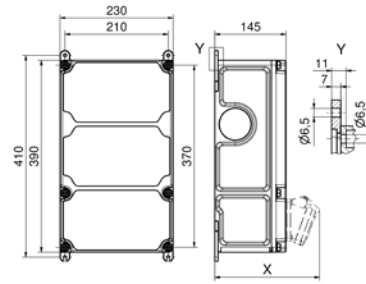
for 2 cables up to 5 x 25 mm²



Technical information

- Wired ready for connection
- Protection degree IP44
- All distributors comply with the DIN EN 61439 / IEC 61439

- Housing made of high-grade, impact-resistant plastic
- Hinged lid
- Top and bottom can be sealed together
- With external and internal fastening
- User-friendly OTC operating window
- Permanently attached cover screws
- Coded flange plate system for maximum safety during initial installation and maintenance
- Top section straight, CEE sockets angled
- All CEE sockets with screwless, maintenance-free QUICK-CONNECT technology
- Colours: bottom - black, top - electro-grey (housing top optionally available in the colours yellow, red or blue)



30 MB 206

Depth X (in mm)

Component	IP44	IP67	Component	IP44	IP67
OTC-window	180	180	CEE 16A 5p	207	205
Schuko-type socket	162	205	CEE 32A 3p / 4p	211	213
CEE 16A 3p	200	200	CEE 32A 5p	213	214
CEE 16A 4p	204	202	CEE 63A 3p / 4p / 5p	229	231

Order no. **89084**

Components:

6 domestic sockets 16A, 230V
(system F - German earthing system)

Fuse:

6 C-type MCBs 16A, 1p
1 RCCB 40/0.03A, 4p

Cable entry at top and bottom:

each with 1x M12, 1x M20, 2x M40

Connection option:

for 2 cables up to 5 x 25 mm²



Order no. **89085**

Components:

2 domestic sockets 16A, 230V
(system F - German earthing system)
2 CEE sockets 16A, 400V, 5p

Fuse:

2 Neozed D01, 1p
2 Neozed D01, 3p

Cable entry at top and bottom:

each with 1x M12, 1x M20, 2x M40

Connection option:

for 2 cables up to 5 x 25 mm²



ex stock

Order no. **89075**

Components:

2 domestic sockets 16A, 230V
(system F - German earthing system)
2 CEE sockets 16A, 400V, 5p

Fuse:

2 C-type MCBs 16A, 1p
2 C-type MCBs 16A, 3p
1 RCCB 40/0.03A, 4p

Cable entry at top and bottom:

each with 1x M12, 1x M20, 2x M40

Connection option:

for 2 cables up to 5 x 25 mm²



ex stock

Order no. **89086**

Components:

2 domestic sockets 16A, 230V
(system F - German earthing system)
1 CEE socket 16A, 400V, 5p
1 CEE socket 32A, 400V, 5p

Fuse:

2 Neozed D01, 1p
1 Neozed D01, 3p
1 Neozed D02, 3p

Cable entry at top and bottom:

each with 1x M12, 1x M20, 2x M40

Connection option:

for 2 cables up to 5 x 25 mm²



ex stock

Order no. **89076**

Components:

2 domestic sockets 16A, 230V
(system F - German earthing system)
1 CEE socket 16A, 400V, 5p
1 CEE socket 32A, 400V, 5p

Fuse:

2 C-type MCBs 16A, 1p
1 C-type MCB 16A, 3p
1 C-type MCB 32A, 3p
1 RCCB 40/0.03A, 4p

Cable entry at top and bottom:

each with 1x M12, 1x M20, 2x M40

Connection option:

for 2 cables up to 5 x 25 mm²



ex stock

Order no. **89070**

Components:

3 domestic sockets 16A, 230V
(system F - German earthing system)
1 CEE socket 16A, 400V, 5p
1 CEE socket 32A, 400V, 5p

Fuse:

3 C-type MCBs 16A, 1p
1 C-type MCB 16A, 3p
1 C-type MCB 32A, 3p

Cable entry at top and bottom:

each with 1x M12, 1x M20, 2x M40

Connection option:

for 2 cables up to 5 x 25 mm²

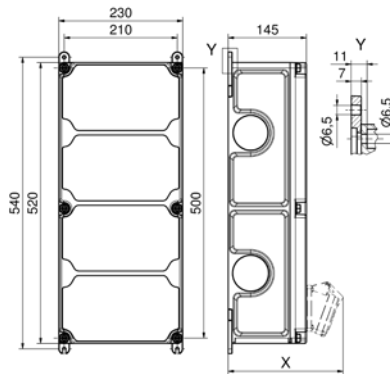


ex stock

Technical information

- Wired ready for connection
- Protection degree IP44
- All distributors comply with the DIN EN 61439 / IEC 61439

- Housing made of high-grade, impact-resistant plastic
- Hinged lid
- Top and bottom can be sealed together
- With external and internal fastening
- User-friendly OTC operating window
- Permanently attached cover screws
- Coded flange plate system for maximum safety during initial installation and maintenance
- Top section straight, CEE sockets angled
- All CEE sockets with screwless, maintenance-free QUICK-CONNECT technology
- Colours: bottom - black, top - electro-grey (housing top optionally available in the colours yellow, red or blue)



Depth X (in mm)

Component	IP44	IP67
OTC-window	180	180
Schuko-type socket	162	205
CEE 16A 3p	200	200
CEE 16A 4p	204	202
CEE 16A 5p	207	205
CEE 32A 3p / 4p	211	213
CEE 32A 5p	213	214
CEE 63A 3p / 4p / 5p	229	231

30 MB 205

Order no. **89146**

Components:

- 2 domestic sockets 16A, 230V (system F - German earthing system)
- 2 CEE sockets 32A, 400V, 5p

Fuse:

- 2 Neozed D01, 1p
- 2 Neozed D02, 3p

Cable entry at top and bottom:

each with 1x M12, 1x M20, 2x M40

Connection option:

for 2 cables up to 5 x 25 mm²



Order no. **89107**

Components:

- 3 domestic sockets 16A, 230V (system F - German earthing system)
- 2 CEE sockets 32A, 400V, 5p

Fuse:

- 3 C-type MCBs 16A, 1p
- 2 C-type MCBs 32A, 3p
- 1 RCCB 63/0.03A, 4p

Cable entry at top and bottom:

each with 1x M12, 1x M20, 2x M40

Connection option:

for 2 cables up to 5 x 25 mm²



Order no. **89094**

Components:

- 2 domestic sockets 16A, 230V (system F - German earthing system)
- 1 CEE socket 16A, 400V, 5p
- 1 CEE socket 32A, 400V, 5p

Fuse:

- 2 Neozed D01, 1p
- 1 Neozed D01, 3p
- 1 Neozed D02, 3p
- 1 RCCB 63/0.03A, 4p

Cable entry at top and bottom:

each with 1x M12, 1x M20, 2x M40

Connection option:

for 2 cables up to 5 x 25 mm²



Order no. **89099**

Components:

- 3 domestic sockets 16A, 230V (system F - German earthing system)
- 1 CEE socket 16A, 400V, 5p
- 1 CEE socket 32A, 400V, 5p

Fuse:

- 3 C-type MCBs 16A, 1p
- 1 C-type MCB 16A, 3p
- 1 C-type MCB 32A, 3p
- 1 RCCB 63/0.03A, 4p

Cable entry at top and bottom:

each with 1x M12, 1x M20, 2x M40

Connection option:

for 2 cables up to 5 x 25 mm²



Order no. **89101**

Components:

- 4 domestic sockets 16A, 230V (system F - German earthing system)
- 1 CEE socket 16A, 400V, 5p
- 1 CEE socket 32A, 400V, 5p

Fuse:

- 4 C-type MCBs 16A, 1p
- 1 C-type MCB 16A, 3p
- 1 C-type MCB 32A, 3p
- 1 RCCB 40/0.03A, 4p

Cable entry at top and bottom:

each with 1x M12, 1x M20, 2x M40

Connection option:

for 2 cables up to 5 x 25 mm²



Order no. **89095**

Components:

- 2 domestic sockets 16A, 230V (system F - German earthing system)
- 1 CEE socket 16A, 400V, 5p
- 1 CEE socket 32A, 400V, 5p
- 1 CEE socket 63A, 400V, 5p

Fuse:

- 2 C-type MCBs 16A, 1p
- 1 C-type MCB 16A, 3p
- 1 C-type MCB 32A, 3p
- 1 RCCB 63/0.03A, 4p

Cable entry at top and bottom:

each with 1x M12, 1x M20, 2x M40

Connection option:

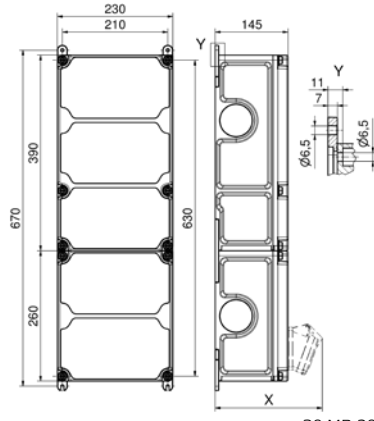
for 2 cables up to 5 x 25 mm²



Technical information

- Wired ready for connection
- Protection degree IP44
- All distributors comply with the DIN EN 61439 / IEC 61439

- Housing made of high-grade, impact-resistant plastic
- Hinged lid
- Top and bottom can be sealed together
- With external and internal fastening
- User-friendly OTC operating window
- Permanently attached cover screws
- Coded flange plate system for maximum safety during initial installation and maintenance
- Top section straight, CEE sockets angled
- All CEE sockets with screwless, maintenance-free QUICK-CONNECT technology
- Colours: bottom - black, top - electro-grey (housing top optionally available in the colours yellow, red or blue)



Depth X (in mm)

Component	IP44	IP67
OTC-window	180	180
Schuko-type socket	162	205
CEE 16A 3p	200	200
CEE 16A 4p	204	202
CEE 16A 5p	207	205
CEE 32A 3p / 4p	211	213
CEE 32A 5p	213	214
CEE 63A 3p / 4p / 5p	229	231

30 MB 204

Order no. **89127**

Components:

4 domestic sockets 16A, 230V
(system F - German earthing system)
3 CEE sockets 16A, 400V, 5p

Fuse:

4 C-type MCBs 16A, 1p
3 C-type MCBs 16A, 3p
1 RCCB 63/0.03A, 4p

Cable entry at top and bottom:

each with 1x M12, 1x M20, 2x M40

Connection option:

for 2 cables up to 5 x 25 mm²



Order no. **89122**

Components:

6 CEE sockets 16A, 230V, 3p

Fuse:

6 C-type MCBs 16A, 1p
6 RCCB 25/0.03A, 2p

Cable entry at top and bottom:

each with 1x M12, 1x M20, 2x M40

Connection option:

for 2 cables up to 5 x 25 mm²



Order no. **89120**

Components:

6 domestic sockets 16A, 230V
(system F - German earthing system)
1 CEE socket 16A, 400V, 5p
1 CEE socket 32A, 400V, 5p

Fuse:

6 C-type MCBs 16A, 1p
1 C-type MCB 16A, 3p
1 C-type MCB 32A, 3p
1 RCCB 63/0.03A, 4p

Cable entry at top and bottom:

each with 1x M12, 1x M20, 2x M40

Connection option:

for 2 cables up to 5 x 25 mm²



Order no. **89119**

Components:

4 domestic sockets 16A, 230V
(system F - German earthing system)
2 CEE sockets 16A, 400V, 5p
1 CEE socket 32A, 400V, 5p

Fuse:

4 C-type MCBs 16A, 1p
2 C-type MCBs 16A, 3p
1 C-type MCB 32A, 3p
1 RCCB 63/0.03A, 4p

Cable entry at top and bottom:

each with 1x M12, 1x M20, 2x M40

Connection option:

for 2 cables up to 5 x 25 mm²



Order no. **89142**

Components:

3 domestic sockets 16A, 230V
(system F - German earthing system)
2 CEE sockets 16A, 400V, 5p
2 CEE sockets 32A, 400V, 5p

Fuse:

3 C-type MCBs 16A, 1p
2 C-type MCBs 16A, 3p
2 C-type MCBs 32A, 3p
1 RCCB 63/0.03A, 4p

Cable entry at top and bottom:

each with 1x M12, 1x M20, 2x M40

Connection option:

for 2 cables up to 5 x 25 mm²



Order no. **89123**

Components:

2 domestic sockets 16A, 230V
(system F - German earthing system)
1 CEE socket 16A, 400V, 5p
1 CEE socket 32A, 400V, 5p
1 CEE socket 63A, 400V, 5p

Fuse:

2 C-type MCBs 16A, 1p
1 C-type MCB 16A, 3p
1 C-type MCB 32A, 3p
1 Neozed D02, 3p
1 RCCB 63/0.03A, 4p

Cable entry at top and bottom:

each with 1x M12, 1x M20, 2x M40

Connection option:

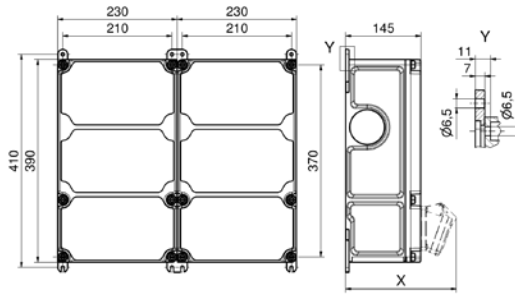
for 2 cables up to 5 x 25 mm²



Technical information

- Wired ready for connection
- Protection degree IP44
- All distributors comply with the DIN EN 61439 / IEC 61439

- Housing made of high-grade, impact-resistant plastic
- Hinged lid
- Top and bottom can be sealed together
- With external and internal fastening
- User-friendly OTC operating window
- Permanently attached cover screws
- Coded flange plate system for maximum safety during initial installation and maintenance
- Top section straight, CEE sockets angled
- All CEE sockets with screwless, maintenance-free QUICK-CONNECT technology
- Colours: bottom - black, top - electro-grey (housing top optionally available in the colours yellow, red or blue)



30 MB 214

Depth X (in mm)

Component	IP44	IP67	Component	IP44	IP67
OTC-window	180	180	CEE 16A 5p	207	205
Schuko-type socket	162	205	CEE 32A 3p / 4p	211	213
CEE 16A 3p	200	200	CEE 32A 5p	213	214
CEE 16A 4p	204	202	CEE 63A 3p / 4p / 5p	229	231

Order no. **89128**

Components:

- 4 domestic sockets 16A, 230V (system F - German earthing system)
- 3 CEE sockets 16A, 400V, 5p

Fuse:

- 4 Neozed D01, 1p
- 3 Neozed D01, 3p

Cable entry at top and bottom:

each with 1x M12, 1x M20, 2x M40

Connection option:

for 2 cables up to 5 x 25 mm²



Order no. **89129**

Components:

- 4 domestic sockets 16A, 230V (system F - German earthing system)
- 1 CEE socket 16A, 230V, 3p
- 1 CEE socket 16A, 400V, 5p
- 1 CEE socket 32A, 400V, 5p

Fuse:

- 5 Neozed D01, 1p
- 1 Neozed D01, 3p
- 1 Neozed D02, 3p
- 1 RCCB 63/0.03A, 4p

Cable entry at top and bottom:

each with 1x M12, 1x M20, 2x M40

Connection option:

for 2 cables up to 5 x 25 mm²



Order no. **89134**

Components:

- 4 domestic sockets 16A, 230V (system F - German earthing system)
- 2 CEE sockets 16A, 400V, 5p
- 1 CEE socket 32A, 400V, 5p

Fuse:

- 4 Neozed D01, 1p
- 2 Neozed D01, 3p
- 1 Neozed D02, 3p
- 1 RCCB 63/0.03A, 4p

Cable entry at top and bottom:

each with 1x M12, 1x M20, 2x M40

Connection option:

for 2 cables up to 5 x 25 mm²



Order no. **890083**

Components:

- 4 domestic sockets 16A, 230V (system F - German earthing system)
- 1 CEE socket 16A, 400V, 5p
- 1 CEE socket 32A, 400V, 5p
- 1 CEE socket 63A, 400V, 5p
- 1 double data socket RJ45 CAT6a IP55

Fuse:

- 4 C-type MCBs 16A, 1p
- 1 C-type MCB 16A, 3p
- 1 C-type MCB 32A, 3p
- 1 C-type MCB 63A, 3p
- 1 RCCB 63/0.03A, 4p

Cable entry at top and bottom:

each with 2x M20, 2x M40

Connection option:

for 2 cables up to 5 x 25 mm²



Order no. **89148**

Components:

- 6 domestic sockets 16A, 230V (system F - German earthing system)
- 1 CEE socket 16A, 400V, 5p
- 1 CEE socket 32A, 400V, 5p
- 1 CEE socket 63A, 400V, 5p

Fuse:

- 3 Neozed D01, 1p
- 1 Neozed D01, 3p
- 1 Neozed D02, 3p
- 1 RCCB 63/0.03A, 4p

Cable entry at top and bottom:

each with 1x M12, 1x M20, 2x M40

Connection option:

for 2 cables up to 5 x 25 mm²



Order no. **89987**

Components:

- 10 domestic sockets 16A, 230V (system F - German earthing system)
- 1 CEE socket 16A, 400V, 5p
- 1 CEE socket 32A, 400V, 5p

Fuse:

- 10 C-type MCBs 16A, 1p
- 1 C-type MCB 16A, 3p
- 1 C-type MCB 32A, 3p
- 1 RCCB 63/0.03A, 4p

Cable entry at top and bottom:

each with 1x M12, 1x M20, 2x M40

Connection option:

for 2 cables up to 5 x 25 mm²



Technical information

- Wired ready for connection
- Protection degree IP67
- All distributors comply with the DIN EN 61439 / IEC 61439

- Housing made of high-grade, impact-resistant plastic
- Top and bottom can be sealed together
- With external and internal fastening
- Permanently attached cover screws
- Top section straight, CEE sockets angled
- All CEE sockets with screwless, maintenance-free QUICK-CONNECT technology
- Colours: bottom - black, top - electro-grey (housing top optionally available in the colours yellow, red or blue)

Order no. **890919**

Components:

2 domestic sockets 16A, 230V
(system F - German earthing system)

Cable entry at top and bottom:

each with 1x M12, 1x M20, 2x M25

Connection option:

for 1 cable up to 3 x 4 mm²



Order no. **890920**

Components:

1 domestic sockets 16A, 230V
(system F - German earthing system)
1 CEE socket 16A, 400V, 5p

Cable entry at top and bottom:

each with 1x M12, 1x M20, 2x M25

Connection option:

for 1 cable up to 5 x 4 mm²



Order no. **890921**

Components:

1 domestic sockets 16A, 230V
(system F - German earthing system)
1 CEE socket 16A, 400V, 5p

Fuse:

1 C-type MCB 16A, 1p
1 C-type MCB 16A, 3p
1 RCCB 40/0.03A, 4p

Cable entry at top and bottom:

each with 1x M12, 1x M20, 2x M40

Connection option:

for 2 cables up to 5 x 25 mm²



Order no. **890922**

Components:

1 domestic sockets 16A, 230V
(system F - German earthing system)
1 CEE socket 32A, 400V, 5p

Fuse:

1 C-type MCB 16A, 1p
1 C-type MCB 32A, 3p
1 RCCB 40/0.03A, 4p

Cable entry at top and bottom:

each with 1x M12, 1x M20, 2x M40

Connection option:

for 2 cables up to 5 x 25 mm²



Order no. **890923**

Components:

2 domestic sockets 16A, 230V
(system F - German earthing system)
1 CEE socket 16A, 400V, 5p
1 CEE socket 32A, 400V, 5p

Fuse:

2 C-type MCBs 16A, 1p
1 C-type MCB 16A, 3p
1 RCCB 40/0.03A, 4p

Cable entry at top and bottom:

each with 1x M12, 1x M20, 2x M40

Connection option:

for 2 cables up to 5 x 25 mm²



Order no. **890924**

Components:

2 domestic sockets 16A, 230V
(system F - German earthing system)
1 CEE socket 16A, 400V, 5p
1 CEE socket 32A, 400V, 5p

Fuse:

2 C-type MCBs 16A, 1p
1 C-type MCB 16A, 3p
1 C-type MCB 32A, 3p

Cable entry at top and bottom:

each with 1x M12, 1x M20, 2x M40

Connection option:

for 2 cables up to 5 x 25 mm²



Technical information

- Wired ready for connection
- Protection degree IP67
- All distributors comply with the DIN EN 61439 / IEC 61439

Order no. **890925**

Components:

3 domestic sockets 16A, 230V
(system F - German earthing system)
1 CEE socket 16A, 400V, 5p

Fuse:

3 C-type MCBs 16A, 1p
1 C-type MCB 16A, 3p
1 RCCB 40/0.03A, 4p

Cable entry at top and bottom:

each with 1x M12, 1x M20, 2x M40

Connection option:

for 2 cables up to 5 x 25 mm²



Order no. **890926**

Components:

3 domestic sockets 16A, 230V
(system F - German earthing system)
1 CEE socket 32A, 400V, 5p

Fuse:

3 C-type MCBs 16A, 1p
1 C-type MCB 32A, 3p
1 RCCB 40/0.03A, 4p

Cable entry at top and bottom:

each with 1x M12, 1x M20, 2x M40

Connection option:

for 2 cables up to 5 x 25 mm²



Order no. **890927**

Components:

2 domestic sockets 16A, 230V
(system F - German earthing system)
2 CEE sockets 16A, 400V, 5p

Fuse:

2 C-type MCBs 16A, 1p
2 C-type MCBs 16A, 3p

Cable entry at top and bottom:

each with 1x M12, 1x M20, 2x M40

Connection option:

for 2 cables up to 5 x 25 mm²



Order no. **890928**

Components:

2 domestic sockets 16A, 230V
(system F - German earthing system)
2 CEE sockets 32A, 400V, 5p

Fuse:

2 C-type MCBs 16A, 1p
2 C-type MCBs 32A, 3p

Cable entry at top and bottom:

each with 1x M12, 1x M20, 2x M40

Connection option:

for 2 cables up to 5 x 25 mm²



Order no. **890929**

Components:

2 domestic sockets 16A, 230V
(system F - German earthing system)
1 CEE socket 16A, 400V, 5p
1 CEE socket 32A, 400V, 5p

Fuse:

2 C-type MCBs 16A, 1p
1 C-type MCB 16A, 3p
1 C-type MCB 32A, 3p
1 RCCB 40/0.03A, 4p

Cable entry at top and bottom:

each with 1x M12, 1x M20, 2x M40

Connection option:

for 2 cables up to 5 x 25 mm²



Order no. **890930**

Components:

2 domestic sockets 16A, 230V
(system F - German earthing system)
1 CEE socket 16A, 400V, 5p
1 CEE socket 32A, 400V, 5p

Fuse:

2 C-type MCBs 16A, 1p
1 C-type MCB 16A, 3p
1 C-type MCB 32A, 3p
1 RCCB 63/0.03A, 4p

Cable entry at top and bottom:

each with 1x M12, 1x M20, 2x M40

Connection option:

for 2 cables up to 5 x 25 mm²



Order no. **890931**

Components:

3 domestic sockets 16A, 230V
(system F - German earthing system)
1 CEE socket 16A, 400V, 5p
1 CEE socket 32A, 400V, 5p

Fuse:

3 C-type MCBs 16A, 1p
1 C-type MCB 16A, 3p
1 C-type MCB 32A, 3p
1 RCCB 63/0.03A, 4p

Cable entry at top and bottom:

each with 1x M12, 1x M20, 2x M40

Connection option:

for 2 cables up to 5 x 25 mm²



Order no. **890932**

Components:

2 domestic sockets 16A, 230V
(system F - German earthing system)
2 CEE sockets 16A, 400V, 5p

Fuse:

2 C-type MCBs 16A, 1p
2 C-type MCBs 16A, 3p
1 RCCB 40/0.03A, 4p

Cable entry at top and bottom:

each with 1x M12, 1x M20, 2x M40

Connection option:

for 2 cables up to 5 x 25 mm²



Technical information

- Wired ready for connection
- Protection degree IP67
- All distributors comply with the DIN EN 61439 / IEC 61439

Order no. **890933**

Components:

2 domestic sockets 16A, 230V
(system F - German earthing system)
2 CEE sockets 32A, 400V, 5p

Fuse:

2 C-type MCBs 16A, 1p
2 C-type MCBs 32A, 3p
1 RCCB 63/0.03A, 4p

Cable entry at top and bottom:

each with 1x M12, 1x M20, 2x M40

Connection option:

for 2 cables up to 5 x 25 mm²



Order no. **890934**

Components:

3 domestic sockets 16A, 230V
(system F - German earthing system)
2 CEE sockets 16A, 400V, 5p

Fuse:

3 C-type MCBs 16A, 1p
2 C-type MCBs 16A, 3p
1 RCCB 40/0.03A, 4p

Cable entry at top and bottom:

each with 1x M12, 1x M20, 2x M40

Connection option:

for 2 cables up to 5 x 25 mm²



Order no. **890935**

Components:

2 domestic sockets 16A, 230V
(system F - German earthing system)
1 CEE socket 16A, 400V, 5p
1 CEE socket 32A, 400V, 5p
1 CEE socket 63A, 400V, 5p

Fuse:

2 C-type MCBs 16A, 1p
1 C-type MCB 16A, 3p
1 C-type MCB 32A, 3p
1 RCCB 63/0.03A, 4p

Cable entry at top and bottom:

each with 1x M12, 1x M20, 2x M40

Connection option:

for 2 cables up to 5 x 25 mm²



Order no. **890936**

Components:

3 domestic sockets 16A, 230V
(system F - German earthing system)
2 CEE sockets 16A, 400V, 5p
1 CEE socket 32A, 400V, 5p

Fuse:

3 C-type MCBs 16A, 1p
2 C-type MCBs 16A, 3p
1 C-type MCB 32A, 3p
1 RCCB 63/0.03A, 4p

Cable entry at top and bottom:

each with 1x M12, 1x M20, 2x M40

Connection option:

for 2 cables up to 5 x 25 mm²



Order no. **890937**

Components:

3 domestic sockets 16A, 230V
(system F - German earthing system)
1 CEE socket 16A, 400V, 5p
1 CEE socket 32A, 400V, 5p
1 CEE socket 63A, 400V, 5p

Fuse:

3 C-type MCBs 16A, 1p
1 C-type MCB 16A, 3p
1 C-type MCB 32A, 3p
1 RCCB 63/0.03A, 4p

Cable entry at top and bottom:

each with 1x M12, 1x M20, 2x M40

Connection option:

for 2 cables up to 5 x 25 mm²



Order no. **890938**

Components:

3 domestic sockets 16A, 230V
(system F - German earthing system)
1 CEE socket 16A, 400V, 5p
2 CEE sockets 32A, 400V, 5p

Fuse:

3 C-type MCBs 16A, 1p
1 C-type MCB 16A, 3p
2 C-type MCBs 32A, 3p
1 RCCB 63/0.03A, 4p

Cable entry at top and bottom:

each with 1x M12, 1x M20, 2x M40

Connection option:

for 2 cables up to 5 x 25 mm²



Order no. **890939**

Components:

2 domestic sockets 16A, 230V
(system F - German earthing system)
2 CEE sockets 16A, 400V, 5p
1 CEE socket 32A, 400V, 5p
1 CEE socket 63A, 400V, 5p

Fuse:

1 C-type MCB 16A, 1p
2 C-type MCBs 16A, 3p
1 C-type MCB 32A, 3p
1 RCCB 63/0.03A, 4p

Cable entry at top and bottom:

each with 1x M12, 1x M20, 2x M40

Connection option:

for 2 cables up to 5 x 25 mm²



Order no. **890940**

Components:

2 domestic sockets 16A, 230V
(system F - German earthing system)
1 CEE socket 16A, 400V, 5p
1 CEE socket 32A, 400V, 5p
1 CEE socket 63A, 400V, 5p

Fuse:

2 C-type MCBs 16A, 1p
1 C-type MCB 16A, 3p
1 C-type MCB 32A, 3p
1 C-type MCB 63A, 3p
1 RCCB 63/0.03A, 4p

Cable entry at top and bottom:

each with 1x M12, 1x M20, 2x M40

Connection option:

for 2 cables up to 5 x 25 mm²



Technical information

- Wired ready for connection
- Protection degree IP44
- All distributors comply with the DIN EN 61439 / IEC 61439

- With high quality handle
- Housing made of high-grade, impact-resistant plastic
- Top and bottom can be sealed together
- Permanently attached cover screws
- Top section straight, CEE sockets angled
- All CEE sockets with screwless, maintenance-free QUICK-CONNECT technology
- Colours: bottom - black, top - electro-grey (housing top optionally available in the colours yellow, red or blue)

Order no. **85000**

Components:

3 domestic sockets 16A, 230V
(system F - German earthing system)

Cable entry:

Schuko-type plug 16A, 230V with 2 m lead H07RN-F3G2,5



Order no. **85006**

Components:

2 domestic sockets 16A, 230V
(system F - German earthing system)
1 CEE socket 16A, 400V, 5p

Cable entry:

CEE plug 16A, 400V, 5p with 2 m cable H07RN-F5G2,5



Order no. **85007**

Components:

2 domestic sockets 16A, 230V
(system F - German earthing system)
1 CEE socket 16A, 400V, 5p

Fuse:

2 C-type MCBs 16A, 1p
1 C-type MCB 16A, 3p
1 RCCB 40/0.03A, 4p

Cable entry:

CEE plug 32A, 400V, 5p with 2 m cable H07RN-F5G4



Order no. **85002**

Components:

3 domestic sockets 16A, 230V
(system F - German earthing system)
2 CEE sockets 16A, 400V, 5p

Cable entry:

CEE plug 16A, 400V, 5p with 2 m cable H07RN-F5G2,5



Order no. **85008**

Components:

2 domestic sockets 16A, 230V
(system F - German earthing system)
1 CEE socket 16A, 400V, 5p
1 CEE socket 32A, 400V, 5p

Fuse:

2 C-type MCBs 16A, 1p
1 C-type MCB 16A, 3p
1 RCCB 40/0.03A, 4p

Cable entry:

CEE plug 32A, 400V, 5p with 2 m cable H07RN-F5G6



Order no. **85036**

Components:

6 domestic sockets 16A, 230V
(system F - German earthing system)

Fuse:

6 C-type MCBs 16A, 1p
1 RCCB 40/0.03A, 4p

Cable entry:

CEE plug 32A, 400V, 5p with 2 m cable H07RN-F5G4



Technical information

- Wired ready for connection
- Protection degree IP44
- All distributors comply with the DIN EN 61439 / IEC 61439

Order no. **85009**

Components:

3 domestic sockets 16A, 230V
(system F - German earthing system)
1 CEE socket 16A, 400V, 5p
1 CEE socket 32A, 400V, 5p

Fuse:

3 C-type MCBs 16A, 1p
1 C-type MCB 16A, 3p
1 RCCB 40/0.03A, 4p

Cable entry:

CEE plug 32A, 400V, 5p with
2 m cable H07RN-F5G6



Order no. **85016**

Components:

3 domestic sockets 16A, 230V
(system F - German earthing system)
1 CEE socket 16A, 400V, 5p

Fuse:

3 C-type MCBs 16A, 1p
1 C-type MCB 16A, 3p
1 RCCB 40/0.03A, 4p

Cable entry:

CEE plug 32A, 400V, 5p with
2 m cable H07RN-F5G4



Order no. **85034**

Components:

4 domestic sockets 16A, 230V
(system F - German earthing system)
1 CEE socket 16A, 400V, 5p
1 CEE socket 32A, 400V, 5p

Fuse:

4 C-type MCBs 16A, 1p
1 C-type MCB 16A, 3p
1 RCCB 40/0.03A, 4p

Cable entry:

CEE plug 32A, 400V, 5p with
2 m cable H07RN-F5G6



Order no. **85005**

Components:

6 domestic sockets 16A, 230V
(system F - German earthing system)

Fuse:

1 RCCB 40/0.03A, 4p

Cable entry:

CEE plug 16A, 400V, 5p with
2 m cable H07RN-F5G2,5



Technical information

- Wired ready for connection
- Protection degree IP54
- All distributors comply with the DIN EN 61439 / IEC 61439

VARIABOX extension – network socket:

- Perfect optical integration in the existing system
- Optionally equipped with RJ45, HDMI or USB
- Various data technology inserts available
- With protection against contact
- Protection degree IP54
- Greater flexibility in the Variabox system landscape
- Can be closed with the plugs plugged in, optionally lockable
- With labelling fields



Detailed view of the network socket.

Order no. **893419**

Components:

2 RJ45 CAT6a below operating window, can be closed with the plugs plugged in

Cable entry:

2 x M25 top closed
1 x M25 bottom
1 x cable gland M25 with multiple sealing insert 2 x 8 mm bottom



Order no. **896346**

Components:

2 RJ45 CAT6a below operating window, can be closed with the plugs plugged in

Cable entry:

1 x M12, 1 x M20, 2 x M25 top
1 x M12, 1 x M20 bottom
2 x cable gland M25 with multiple sealing insert 2 x 8 mm bottom



Order no. **895347**

Components:

2 domestic sockets 16A, 230V
(system F - German earthing system)
2 RJ45 CAT6a below operating window, can be closed with the plugs plugged in

Cable entry:

1 x cable gland M20 top
1 x cable gland M25 with multiple sealing insert 2 x 8 mm top
1 x M20, 1 x M25 bottom

Connection option:

for 1 cable up to 3 x 6 mm²



Order no. **896347**

Components:

2 domestic sockets 16A, 230V
(system F - German earthing system)
4 RJ45 CAT6a below operating window, can be closed with the plugs plugged in

Cable entry:

1 x cable gland M20 top
1 x cable gland M32 with multiple sealing insert 4 x 8 mm top
1 x M20, 1 x M32 bottom

Connection option:

for 1 cable up to 3 x 6 mm²



Order no. **896329**

Components:

2 domestic sockets 16A, 230V
(system F - German earthing system)
2 RJ45 CAT6a below operating window, can be closed with the plugs plugged in

Cable entry:

1 x M12, 1 x M20 top
1 x cable gland M25
1 x cable gland M25 with multiple sealing insert 2 x 8 mm bottom
1 x M12, 1 x M20, 2 x M25 unten

Connection option:

for 1 cable up to 5 x 4 mm²



Order no. **896400**

Components:

2 domestic sockets 16A, 230V
(system F - German earthing system)
2 RJ45 CAT6a below operating window, can be closed with the plugs plugged in

Fuse:

2 C-type MCBs 16A, 1p
1 RCCB 40/0.03A, 4p

Cable entry:

1 x M20, 1 x M25 top closed
1 x cable gland M20 bottom
1 x cable gland M25 with multiple sealing insert 2 x 8 mm bottom

Connection option:



Network socket

- For max. 4 data modules
- With 4 blank cover
- With protection cover plate
- Can be closed with the plugs plugged in, optionally lockable

Order no. **581276**



Data module RJ45 CAT 6a

- KeyStone module
- 10 Gigabit-Ethernet
- Insulation displacement contact

Manufacturer	Order No.
BTR	50003186
R&M	50002819
AMP	50003206
Dätwyler	50003208
Corning	50003209
3M	50003210
Telegärtner	50003211



Data module USB 2.0 A/A

- KeyStone module
- Colour: black

Order no. **50003218**



Data module USB 2.0 A/B

- KeyStone module
- Colour: white

Order no. **50003205**



Data module HDMI

- HDMI double socket
- KeyStone module
- Gold plated contacts
- Colour: white

Order no. **50003203**



KeyStone Blank Cover

- Colour: white

Order no. **20001402**



Variabox extension – switching bar:

- Perfect optical integration in the existing system
- User-friendly arrangement in the case of multiple units
- Mechanical double-interlocking
- Can be locked in the 0-position
- Nickel plated contacts
- High-temperature-resistant contact carriers
- Greater flexibility in the Variabox system landscape
- Suitable for harsh environmental conditions
- Versions in all voltages and frequencies from 16A 3-pole to 32A 5-pole
- Protection degrees IP44, IP54 and IP67



Detailed view of switched interlocked flange plate.

Order no. **896369**

Components:

1 CEE socket 16A, 400V, 5p, IP44
 nickel plated contacts, with mechanical interlocking, lockable in 0-position

Fuse:

1 RCCB 40/0.03A, 4p

Cable entry at top and bottom:

each with 1x M12, 1x M20, 2x M25

Connection option:

for 1 cable 5 x 6 mm²



Order no. **896373**

Components:

1 CEE socket 16A, 400V, 5p, IP44
 nickel plated contacts, with mechanical interlocking, lockable in 0-position

Fuse:

1 C-type MCB 16A, 3p
 1 RCCB 40/0.03A, 4p

Cable entry at top and bottom:

each with 1x M12, 1x M20, 2x M40

Connection option:

for 2 cables up to 5 x 25 mm²



Order no. **896370**

Components:

1 CEE socket 32A, 400V, 5p, IP44
 nickel plated contacts, with mechanical interlocking, lockable in 0-position

Fuse:

1 RCCB 40/0.03A, 4p

Cable entry at top and bottom:

each with 1x M12, 1x M20, 2x M32

Connection option:

for 1 cable 5 x 6 mm²



Order no. **896374**

Components:

1 CEE socket 32A, 400V, 5p, IP44
 nickel plated contacts, with mechanical interlocking, lockable in 0-position

Fuse:

1 C-type MCB 32A, 3p
 1 RCCB 40/0.03A, 4p

Cable entry at top and bottom:

each with 1x M12, 1x M20, 2x M40

Connection option:

for 2 cables up to 5 x 25 mm²



Order no. **896375**

Components:

2 CEE socket 16A, 400V, 5p, IP44
 nickel plated contacts, with mechanical interlocking, lockable in 0-position

Fuse:

2 C-type MCBs 16A, 3p

Cable entry at top and bottom:

each with 1x M12, 1x M20, 2x M40

Connection option:

for 2 cables up to 5 x 25 mm²



Order no. **896376**

Components:

2 CEE socket 16A, 400V, 5p, IP44
 nickel plated contacts, with mechanical interlocking, lockable in 0-position

Fuse:

2 C-type MCBs 16A, 3p
 1 RCCB 40/0.03A, 4p

Cable entry at top and bottom:

each with 1x M12, 1x M20, 2x M40

Connection option:

for 2 cables up to 5 x 25 mm²



Technical information

- Wired ready for connection
- All distributors comply with the DIN EN 61439 / IEC 61439

Order no. **896378**

Components:

1 CEE socket 16A, 400V, 5p, IP44 nickel plated contacts, with mechanical interlocking, lockable in 0-position
1 CEE socket 32A, 400V, 5p, IP44 nickel plated contacts, with mechanical interlocking, lockable in 0-position

Fuse:

1 C-type MCB 16A, 3p
1 C-type MCB 32A, 3p
1 RCCB 40/0.03A, 4p

Cable entry at top and bottom:

each with 1x M12, 1x M20, 2x M40

Connection option:

for 2 cables up to 5 x 25 mm²



Order no. **896371**

Components:

1 CEE socket 16A, 400V, 5p, IP67 nickel plated contacts, with mechanical interlocking, lockable in 0-position

Fuse:

1 RCCB 40/0.03A, 4p

Cable entry at top and bottom:

each with 1x M12, 1x M20, 2x M25

Connection option:

for 1 cable 5 x 6 mm²



Order no. **896285**

Components:

1 CEE socket 16A, 400V, 5p, IP67 nickel plated contacts, with mechanical interlocking, lockable in 0-position

Fuse:

1 C-type MCB 16A, 3p
1 RCCB 40/0.03A, 4p

Cable entry at top and bottom:

each with 1x M12, 1x M20, 2x M40

Connection option:

for 2 cables up to 5 x 25 mm²



Order no. **896372**

Components:

1 CEE socket 32A, 400V, 5p, IP67 nickel plated contacts, with mechanical interlocking, lockable in 0-position

Fuse:

1 RCCB 40/0.03A, 4p

Cable entry at top and bottom:

each with 1x M12, 1x M20, 2x M32

Connection option:

for 1 cable 5 x 6 mm²



Order no. **896368**

Components:

1 CEE socket 32A, 400V, 5p, IP67 nickel plated contacts, with mechanical interlocking, lockable in 0-position

Fuse:

1 C-type MCB 32A, 3p
1 RCCB 40/0.03A, 4p

Cable entry at top and bottom:

each with 1x M12, 1x M20, 2x M40

Connection option:

for 2 cables up to 5 x 25 mm²



Order no. **896377**

Components:

2 CEE socket 16A, 400V, 5p, IP67 nickel plated contacts, with mechanical interlocking, lockable in 0-position

Fuse:

2 C-type MCBs 16A, 3p
1 RCCB 40/0.03A, 4p

Cable entry at top and bottom:

each with 1x M12, 1x M20, 2x M40

Connection option:

for 2 cables up to 5 x 25 mm²



Cable gland

- Black
- Protection degree IP67



Thread	Sealing range	Order no.
M12	3-6 mm	580647
M20	8-13 mm	580648
M25	11-17 mm	580649
M32	15-21 mm	580650
M40	19-28 mm	580651
Multiple sealing insert	für M25	2x8 mm 580652
	für M32	4x8 mm 580653
Sealing plug for multiple sealing insert		581273
Packaging unit: 100 pieces		

Cable gland with pressure equalisation

The use of pressure equalisation cable glands allows the internal pressure to adjust to the ambient pressure. The type-tested protection degree of the enclosure is fully retained. Temperature fluctuations, intense sunlight, or a sudden change in weather can cause condensation to form in combination enclosures. Basically, condensation can form in all sealed solid-rubber distributors. The higher the protection degree is, the more likely the formation of condensation will be.

We therefore recommend, especially in the case of distributors with protection degree IP67, the use of pressure equalisation cable glands.

- Minimised condensation formation and therefore reduction in downtimes and time-consuming and expensive repair work
- No expensive and high-maintenance ventilation technology required
- No drip holes which reduce the level of protection
- With air ducts for pressure equalisation
- Black
- Protection degree IP67



Thread	Sealing range	Order no.
M20	6-13 mm	580656
M25	9-17 mm	580657
M32	13-21 mm	580658
M40	16-28 mm	580659

Mounting set

- For VARIABOX S - XL
- Consisting of:
 - 4 screws 6 x 60 mm
 - 4 screw anchors 8 x 51 mm

Order no. **580640**

- For VARIABOX XXL
- Consisting of:
 - 6 screws 6 x 60 mm
 - 6 screw anchors 8 x 51 mm

Order no. **580727**

Mounting set



Lock set

- For OTC window
- With long shackle and 2 keys

Order no. **580642**



Closing cylinder

- For operation window
- With closing cylinder and 2 keys

Order no. **58037-BE**



Portable stand

- For VARIABOX M, L, XL
- Hot-dip galvanised steel tubing
- Folding
- Weight 4 kg
- Dimensions: 350/570 x 780 x 540 mm (W x H x D)

Order no. **580643**



Hanging unit

- For VARIABOX M and L
- Colour yellow, RAL 1023

Order no. **580641**

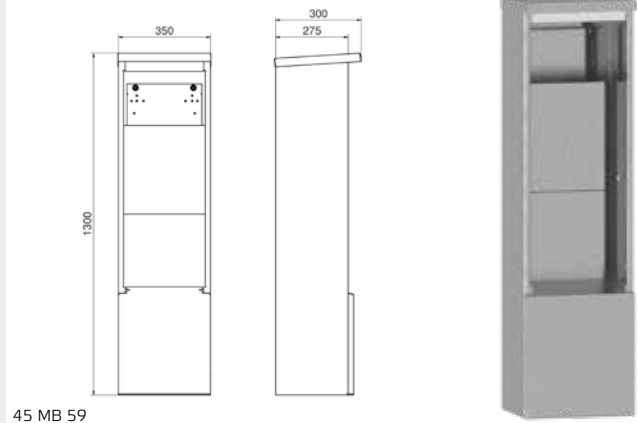


Power-Port floor-standing distributor without door

- Housing made of high-quality V2A stainless steel
- Ground metal surface
- Moveable panel for concealing cables
- Base plate suitable for pedestal mounting
- Available in different colours (optional)

Order no. **580589**

Mounting set for VARIABOX mounting
Order no. 581267



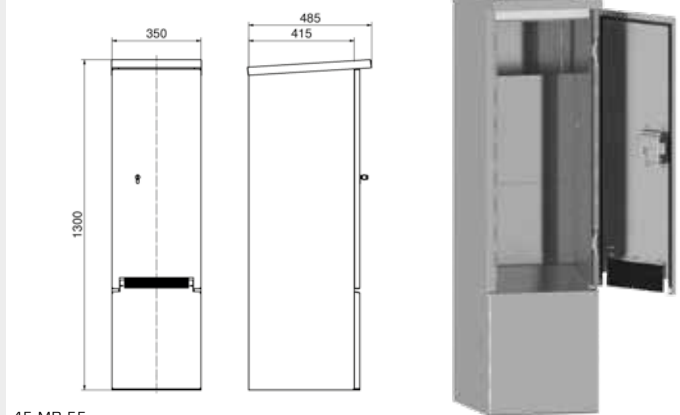
45 MB 59

Power-Port floor-standing distributor with door

- Housing made of high-quality V2A stainless steel
- Ground metal surface
- Moveable panel for concealing cables
- Base plate suitable for pedestal mounting
- Door with box lock and single profile cylinder, internal hinges
- Brush seal prevents dirt and dust from entering when door is closed
- Outgoing cables can be guided out through brush-sealed opening on front side
- Available in different colours (optional)

Order no. **580508**

Mounting set for VARIABOX mounting
Order no. 581267

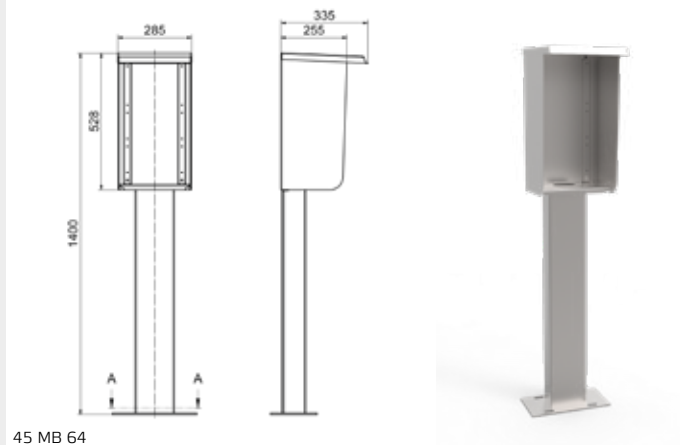


45 MB 55

Pillar with protective rain canopy

- Housing made of high-quality V2A stainless steel
- Ground metal surface
- For VARIABOX S, M und L
- Base plate suitable for pedestal mounting
- Available in different colours (optional)

Order no. **580860**



45 MB 64

Protective rain canopy

- Housing made of high-quality V2A stainless steel
- With side panels
- Ground metal surface
- Mounting plate for fitting VARIABOXES
- Available in RAL colours (optional)

Order no. **580511**
- for VARIABOX S,M,L
Dimensions: 545 x 286 x 328 mm

Order no. **580529**
- for VARIABOX XL,XXL
Dimensions: 792 x 286 x 328 mm

Order no. **580521**
- for VARIABOX L-DUO, XL-DUO
Dimensions: 662 x 516 x 328 mm



Concrete Base

- for ground/floor attachment for Power-Ports

Order no. **58370**



made
in
Germany



Simply. Well. Connected.

Bals Elektrotechnik GmbH & Co. KG
D-57399 Kirchhundem-Albaum
Phone: +49 27 23/771-0
Fax: +49 27 23/771-177/178
E-mail: info@bals.com
Internet: www.bals.com

Subject to technical modifications and typographical errors